

# Standard terminal blocks

## Screw clamp

DIN 1 - 3

A  
1

refer to the section "Special Applications" for part numbers and characteristics.

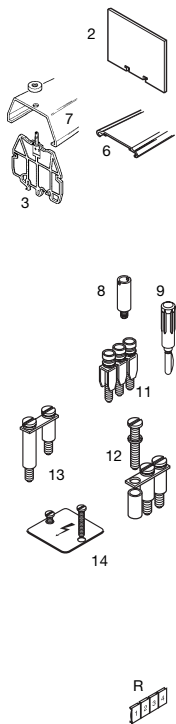
End stop		th. 9 mm	BADL	V0	1SNA 399 903 R0200
End stop		th. 10 mm	BAM2	V2	1SNA 206 351 R1600
End stop		th. 10 mm	BAM2 V0	V0	1SNA 296 351 R0000
Rail		35 x 7,5 x 1	PR3.Z2		1SNA 174 300 R1700
Rail		35 x 15 x 2,3	PR4		1SNA 168 500 R1200
Rail		35 x 15 x 1,5	PR5		1SNA 168 700 R2200
Rail		32 x 15 x 1,5	PR1.Z2		1SNA 163 050 R0400

Other end stops, rails and accessories : see section on accessories.

### Notes

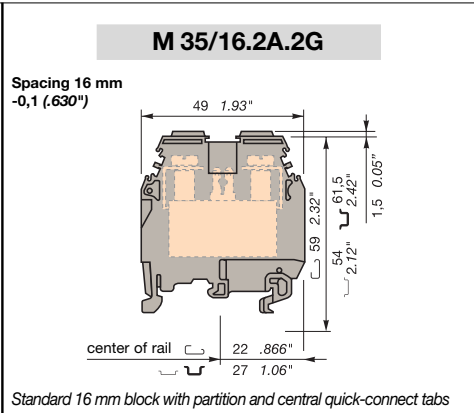
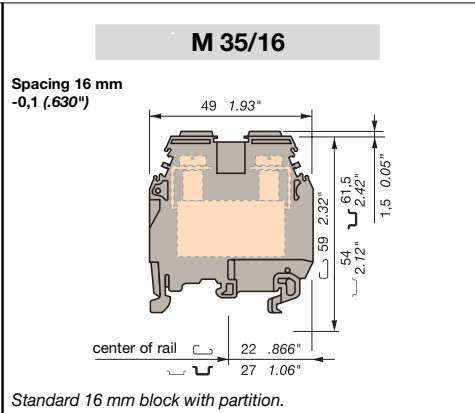
The use of some accessories may decrease the block's voltage rating. For more information, consult us.  
**BJDP1** permits the interconnection with a terminal block series "M" spacing 6 or 6,5 or 8 or 10 mm.  
**BJDP2** permits the interconnection with a terminal block series "M" spacing 12 mm.

### Accessories



<b>2</b> Separator end section	grey	SCFT1	th. 1,0 mm	1SNA 103 588 R2600
<b>3</b> Separator end section for cover CPV	grey beige	SCFCV1.2 (1) SCFCV1.2 V0(1)	th. 3,0 mm th. 3,0 mm	1SNA 116 795 R1100 1SNA 196 795 R1200
<b>6</b> Protective cover		CPM (for SCF16...)		1SNA 187 312 R1400
<b>7</b> Protective cover		CPV1.2 (for SCFCV1.2...)		1SNA 176 816 R1200
<b>8</b> Test socket		AL4	DIA. 4,0 mm	1SNA 168 237 R0500
<b>9</b> Test plug		FC2 FC4	DIA. 2,0 mm DIA. 4,0 mm	1SNA 007 865 R2600 1SNA 167 860 R0100
<b>11</b> Assembled jumper bar	125 A 125 A (with IP20 protection)	BJMI16 (2) BJMI16 (2) BJMI16 (2) BJMI16 (2) BJMI16 (2)	2 poles 3 poles 4 poles 5 poles 10 poles	1SNA 206 217 R0000 1SNA 206 218 R1100 1SNA 206 219 R1200 1SNA 206 220 R1700 1SNA 206 221 R0400
<b>12</b> Jumper bar not assembled	125 A	BJS16 (2)	10 poles	1SNA 168 238 R1600
<b>13</b> Universal jumper bar	50 A 95 A	EV16		1SNA 179 627 R0700
<b>14</b> Protection label		BJJDP1 (2)(3) spacing 16 <-> spacing 6-6,5-8 or 10 BJJDP2 (2)(3) spacing 16 <-> spacing 12		1SNA 179 623 R0300 1SNA 179 624 R0400
Screw for protection label		EP12 EP16 VSP16	3 blocks 4 blocks	1SNA 163 430 R2600 1SNA 163 431 R1300 1SNA 173 147 R2000
<b>R</b> See section on markers method		RC65 - RC610 RTM9 RC810 RC1010		

2 quick-connect outputs for 6,3 x 0,8 series 250 tabs (2 tabs) or 2,8 x 0,8 series 110 tabs (4 tabs)



Colour	Type	Part numbers
Grey	M 35/16	1SNA 115 124 R0700
Blue	M 35/16.N	1SNA 125 124 R0100
Yellow	M 35/16	1SNA 105 124 R1600
Red	M 35/16	1SNA 400 195 R2200
Black	M 35/16	1SNA 400 194 R2100
White	M 35/16	1SNA 400 196 R2300
Beige V0	M 35/16.V0	1SNA 195 124 R0000

Colour	Type	Part numbers
Grey	M 35/16.2A.2G	1SNA 115 719 R2300

### Characteristics

Wire size	IEC		UL/CSA
	NFC	DIN	
Screw clamp	Rigid	1-50 mm <sup>2</sup>	10-0 AWG
	Flexible	1-35 mm <sup>2</sup>	10-1 AWG
<b>Voltage</b>			
Rated	800 V		600 V
Impulse withstand	8 kV		
Pollution degree	3		
<b>Current</b>			
Rated	125 A		150 A
<b>Wire size</b>			
Rated / Gauge	35 mm <sup>2</sup> / B9		0 AWG
Wire strip. length	Recomm. Screwdriver	Recomm. torque	Protection
17 mm	6,5-7 mm	2,8-3 Nm	IP20
.669"	.255" - .276"	24.9-26.7 lb.in	NEMA 1

### Characteristics

Wire size	IEC		UL	CSA
	NFC	DIN		
Screw clamp	Rigid	1-50 mm <sup>2</sup>	16-0 AWG	16-0 AWG
	Flexible	1-35 mm <sup>2</sup>	16-2 AWG	16-2 AWG
Quick connect	4 tabs : 2,8 x 0,8 series 110 - 1,5 mm <sup>2</sup> max. 2 tabs : 6,3 x 0,8 series 250 - 2,5 mm <sup>2</sup> max.			
<b>Voltage</b>				
Rated	800 V			
Impulse withstand	8 kV			
Pollution degree	3			
<b>Current</b>				
Rated	125 A (4)			
<b>Wire size</b>				
Rated / Gauge	35 mm <sup>2</sup> / B9		0 AWG	0 AWG
Wire strip. length	Recomm. Screwdriver	Recomm. torque	Protection	
17 mm	6,5-7 mm	2,8-3 Nm	IP20	
.669"	.255" - .276"	24.3-26.1 lb.in	NEMA 1	

Type	Part numbers
SCFT1	th. 1,0 mm 1SNA 103 588 R2600
SCFCV1.2 (1)	th. 3,0 mm 1SNA 116 795 R1100
SCFCV1.2 V0(1)	th. 3,0 mm 1SNA 196 795 R1200
CPM (for SCF16...)	1SNA 187 312 R1400
CPV1.2 (for SCFCV1.2...)	1SNA 176 816 R1200
AL4	DIA. 4,0 mm 1SNA 168 237 R0500
FC2	DIA. 2,0 mm 1SNA 007 865 R2600
FC4	DIA. 4,0 mm 1SNA 167 860 R0100
BJMI16 (2)	2 poles 1SNA 206 217 R0000
BJMI16 (2)	3 poles 1SNA 206 218 R1100
BJMI16 (2)	4 poles 1SNA 206 219 R1200
BJMI16 (2)	5 poles 1SNA 206 220 R1700
BJMI16 (2)	10 poles 1SNA 206 221 R0400
BJS16 (2)	10 poles 1SNA 168 238 R1600
EV16	1SNA 179 627 R0700
BJJDP1 (2)(3) spacing 16 <-> spacing 6-6,5-8 or 10	1SNA 179 623 R0300
BJJDP2 (2)(3) spacing 16 <-> spacing 12	1SNA 179 624 R0400
EP12	3 blocks 1SNA 163 430 R2600
EP16	4 blocks 1SNA 163 431 R1300
VSP16	1SNA 173 147 R2000
RC65 - RC610 RTM9 RC810 RC1010	

Type	Part numbers
SCFT1	th. 1,0 mm 1SNA 103 588 R2600
SCFCV1.2 (1)	th. 3,0 mm 1SNA 116 795 R1100
CPM (for SCF16...)	1SNA 187 312 R1400
CPV1.2 (for SCFCV1.2...)	1SNA 176 816 R1200

Note : (1) Separator end section snapped on rail. (2) Use of these accessories requires the user to cut out the partition.  
 (3) See column "various applications" on previous pages. (4) Maximum withstand current : 8 A for quick-connect connection for 2,8 x 0,8 mm tabs and 20 A for quick-connect connection for 6,3 x 0,8 mm tabs.